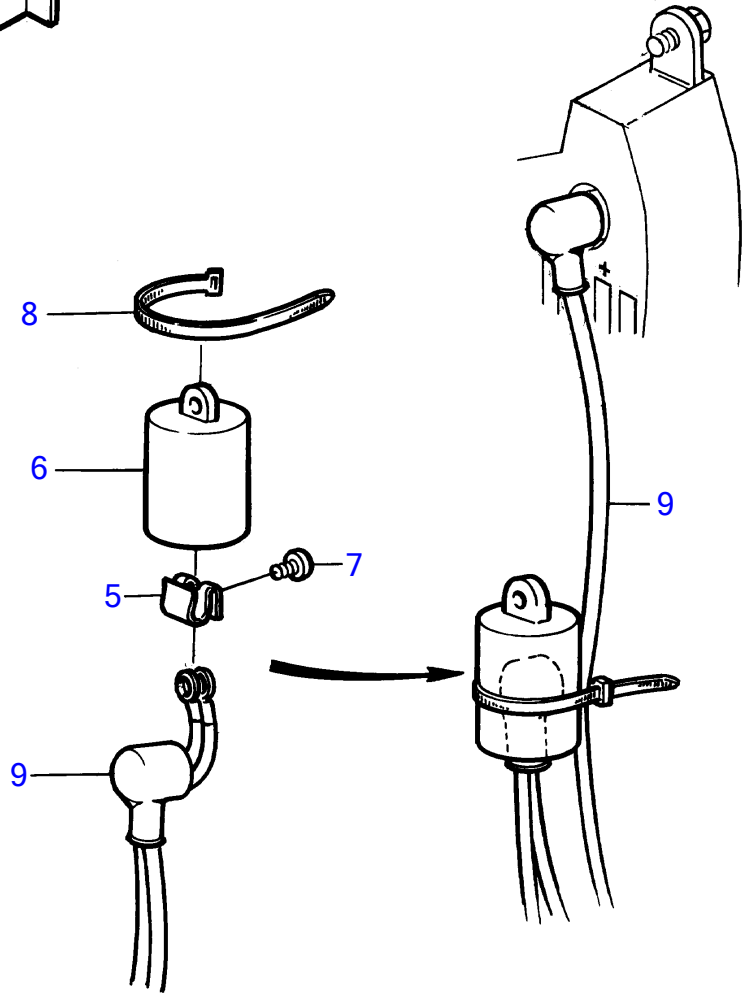
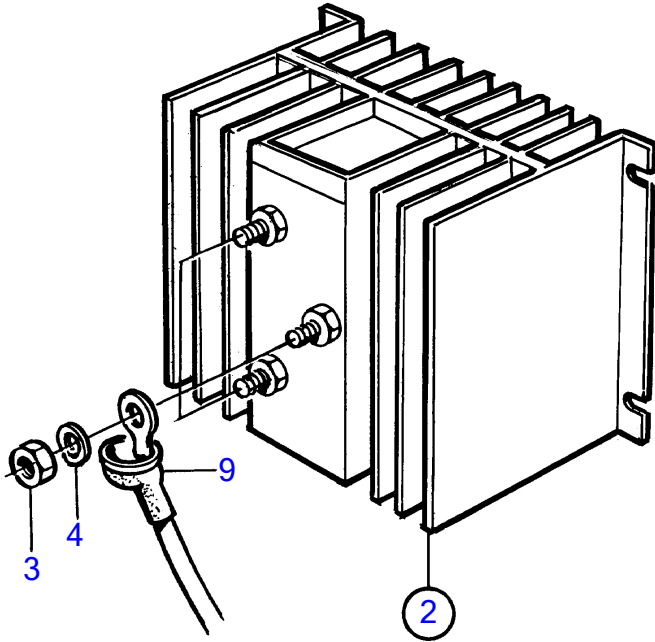


TAMD122A, TMD122A, TAMD122P-A, TAMD122P-B, TAMD122P-C

1



TAMD122A, TMD122A, TAMD122P-A, TAMD122P-B, TAMD122P-C

REF	PART NO.	QTY	DESCRIPTION	SEE SEC.	NOTES
1	873120	1	Junction block		For charging of 2 batteries., For alternators 12-28V up to 60A. Charging Distributor
			• Bulletin 52-07	52-07-EN	
			• Bulletin 52-11	52-11-EN	Charging Distributor
2	872928	1	• Junction block		
3	955846	3	• Hexagon nut		
4	941906	3	• Spring washer		
5	859492	1	• Spring nut		
6	859493	1	• Protecting casing		
7	955126	1	• Cross recessed screw		
8	948211	1	• Cable tie		
9		X	electrical materials	1963	